



Pacifica / DLG-52(E)

Shower Cabin Installation and User's Guide

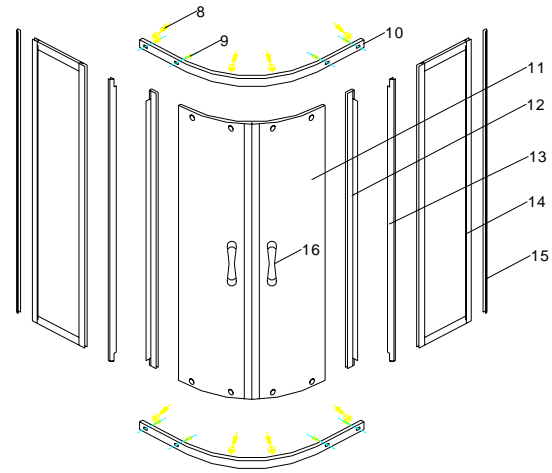
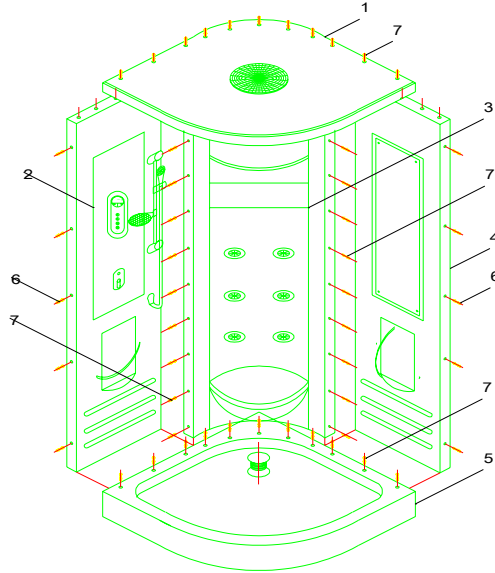


I. Mounting Preparation

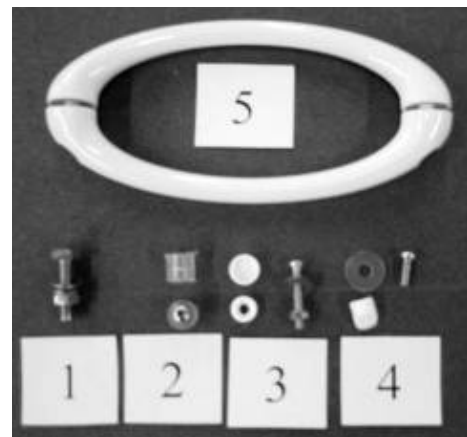
1. After opening the case, read this introduction carefully, check all the packed parts, examine the shower cabinet for shipping damage. If the unit has been damaged or has a finishing defect, please contact your local distributor within 2 business days. Please note that DreamLine Guarantee will not cover shipping damage or such finishing defects once the unit has been installed. Your distributor's responsibility for damage in transit is limited after the shower package has been transferred to the transportation company, so you may have to contact the transportation company directly to report damage. Contact your distributor or DreamLine if you have any questions.
2. You should make sure that the floor is leveled and solid and will be able to support the total weight of the unit and its occupant. You should also consult your local building codes on questions on installation compliance standards.
3. Install all of the required plumbing and drainage before securing the shower. Use a competent and licensed (if required by local code) plumber for all plumbing installation.
4. Please insure that prior to the installation the floor is leveled and the walls are at right angles. While some adjustment in leveling of the tray is possible, irregular floor level or improper angle of side walls will result in serious problems for your installation. Please, note that there are some adjustments and drilling might be necessary during the installation process.
5. Necessary Tools: Screwdriver, Electric drill, Regular drill bits (1/8", 7/64"), Phillips screwdriver, Level, Measuring tape, Pencil and Stepladder. Bear in mind that you will need at least two people to assemble the unit.

II. Packing List

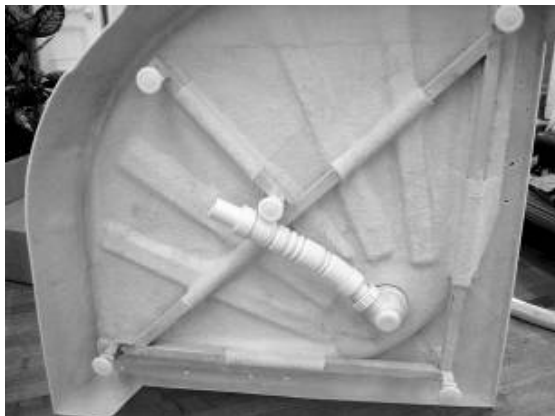
- | | | | |
|---|--|---|----------------------------------|
| ① | Roof plate cover – optional (1 set) | ⑨ | Screw M4X8 (8pcs) |
| ② | Shower control panel (1pcs) | ⑩ | Guide rails (2pcs) |
| ③ | Main panel (1pcs) | ⑪ | Entry doors (2pcs) |
| ④ | Mirror panel (1pcs) | ⑫ | Waterproof plastic strips (2pcs) |
| ⑤ | Shower tray (1pcs) | ⑬ | Front cover profiles (2pcs) |
| ⑥ | Bolt M6X16+ washer (18pcs) | ⑭ | Side glass panels (2pcs) |
| ⑦ | Bolt M6X25+ washer (40pcs) | ⑮ | Back cover profiles (2pcs) |
| ⑧ | Screw M4X8+ Locating rubber stopper (8pcs) | ⑯ | Handles (2pcs) |



Parts



Tray pre-installation instructions



Step 1



Step 2



Step 3



Step 4

1. Choose the place where you will locate the tray, mark it because you may need to move it out from the position for better assembling procedure (Step 1)
2. Unwind the legs to level the tray in case the surface is uneven (Step 2)
3. Check on the drain if it fastened tight enough to make sure it won't leak after complete tray installation (Step 3).
4. Check all the hose connections also to prevent leakage. Your plumber may want to replace the flex hose to hard PVC pipes which is also possible.



One of the ways on how to change flex hose to hard PVC pipes:

Disconnect the flex hose from the shower drain unit. Fasten the 1 ½" hard PVC pipe to the drain. Using the trap adaptor with washer and plastic nut fasten the PVC pipe to the adaptor from 1 ½" to 2".

III. Mounting Process:

1. Clean the bottom of the main panel and the tray boarder with alcohol before applying clear silicone. Fasten the main panel to the shower tray using part #1. (NOTE: Do not over tight the bolts). Do not forget to apply silicone on the edges of the panels before fastening (Steps 1, 2, 3).
2. Clean the surface of the main panel and the tray and apply silicone on the edges. Make sure you apply enough silicone in the corners (Step 4, 5).
3. Fasten the mirror panel to the tray and to the main panel, making sure you clean the surface and apply silicone to the edges (Step 6, 7).
4. Secure the control panel to the main panel and to the tray (Step 8, 9).
5. Step 10 – the back panels assembly.
6. Secure the mirror to the mirror panel using part #3. Place the screw cap to cover the screw (Step 11, 12).
7. Clean the surface of the control panel and the stationary glass. The stationary glass has screw holes on the side of the metal profiles. Please, make sure you apply silicone to the side of the control panel and to the bottom of the stationary glass to prevent from leaking. Secure the stationary glass to the control panel using shorter bolts. It might be easier to use long nose pliers to hold the nut and secure the bolt with the drill (Step 13, 14, 15, 16).
8. To make sure the water doesn't leak through the corners and through the holes between the stationary glass and the tray, apply a thin layer on the inside part of the stationary glass (Step 17, 18).
9. Position the guide rails, clean the surface and apply silicone on the parts to be attached (Step 19).
10. Fasten the stationary glass to the guide rail using security screws (screws with chopped end) (Step 20, 21).
11. Repeat the same step with the top guide rail (step 22).
12. Fasten tight all the bolts on the back panels (Step 23).

13. Attach the jet hose to the valve on the back of the control panel (that is the second valve from the top) (Step 24, 25).
14. Insert the metal profiles into the stationary glass metal frame (Step 26).
15. Secure the rubber stoppers using part #2 (step 27).
16. Slide the doors from the inner middle of the guide rails (Step 28).
17. Attach the waterproof plastic strips to the edges of the doors (step 29).
18. Connect the flexible shower hose (Step 30, 31)
19. Attach handles using part #4, 5 (Step 32).
20. Seal the joints between the metal profiles, guide rails and the tray.
21. According to the operating instructions, have a thorough check on the water supply pipes, and the shower enclosure.
22. Make sure all the preparation work is completed. Have a water supply test. Make sure the unit operates at its normal conditions, and then move the mounted enclosure to the right position.

NOTE: Allow 24 hours for the silicone to set before testing or using the shower.

NOTE: Improper application of silicone sealant may cause your shower to leak.

Notes: Our products are subject to modification without further notice.



Step 1



Step 2



Step 3



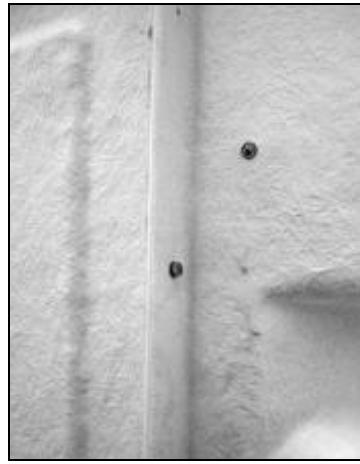
Step 4



Step 5



Step 6



Step 7



Step 8



Step 9



Step 10



Step 11



Step 12



Step 13



Step 14



Step 15



Step 16



Step 17



Step 18



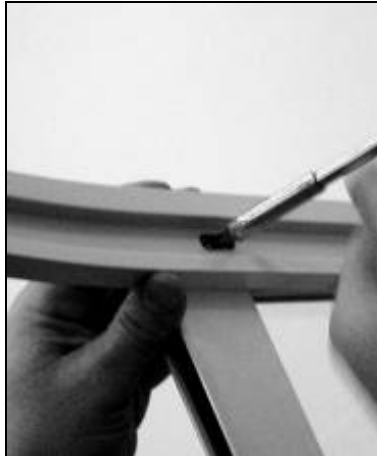
Step 19



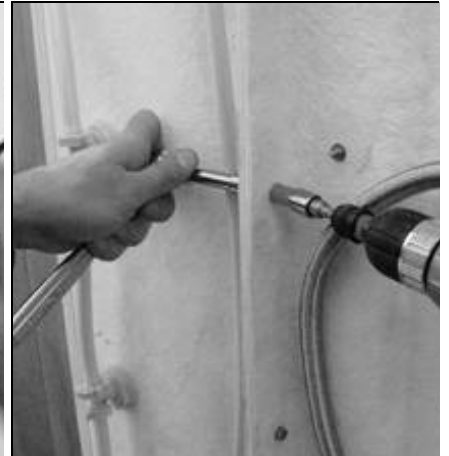
Step 20



Step 21



Step 22



Step 23



Step 24



Step 25



Step 26



Step 27



Step 28



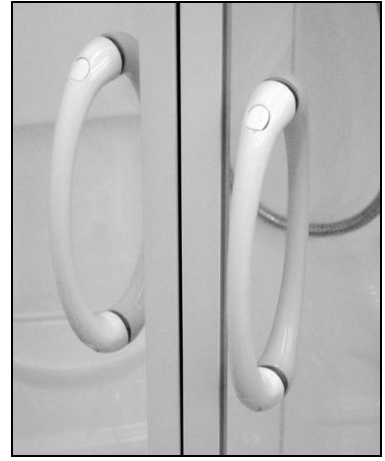
Step 29



Step 30



Step 31



Step 32